



INLINE TYPE

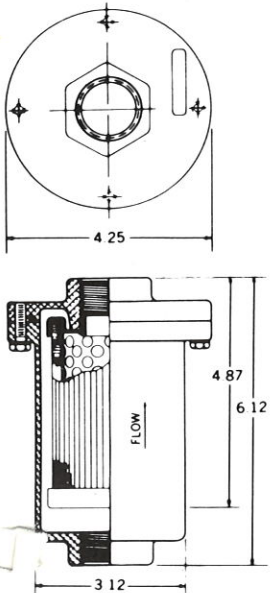
CAPACITIES:
Up to 20 GPM Up to 125 PSI Max.

PIPE SIZES:
(at both inlet and outlet) 3/4" and 1" NPTF.

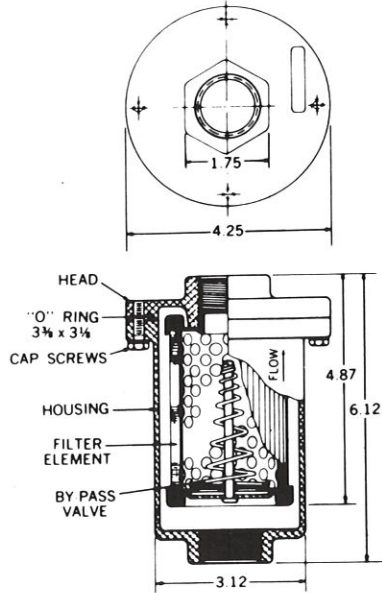
BY-PASS VALVE:
Available with or without By-Pass Valve.

OPERATING TEMPERATURES:
Up to 275° F.

2032 SERIES (No By-Pass Valve)



2032B SERIES (With By-Pass Valve)



PRESSURE DROP	
GPM	2032
10	.40
15	.72
20	1.17

NOTE: Pressure Drops at right based upon Petroleum Base Oil 225 SSU @ 100°F., 1/4" NPTF Filter.

When ordering parts, please specify part name and model number

BY-PASS	MESH /	10 -15 -20 GPM	
		2032-2032B SERIES	
		3/4" NPTF	1" NPTF
MODEL NUMBERS			
No	100	2032-3/4-100	2032-1-100
No	80	2032-3/4-80	2032-1-80
No	60	2032-3/4-60	2032-1-60
No	50	2032-3/4-50	2032-1-50
No	40	2032-3/4-40	2032-1-40
No	30	2032-3/4-30	2032-1-30
No	150	2032-3/4-150	2032-1-150
No	200	2032-3/4-200	2032-1-200
** 3 PSI	100	2032-3/4-B-100	2032-1-B-100
3 PSI	80	2032-3/4-B-80	2032-1-B-80
3 PSI	60	2032-3/4-B-60	2032-1-B-60
3 PSI	50	2032-3/4-B-50	2032-1-B-50
3 PSI	40	2032-3/4-B-40	2032-1-B-40
3 PSI	30	2032-3/4-B-30	2032-1-B-30
5 PSI	100	2032-3/4-B5-100	2032-1-B5-100
5 PSI	80	2032-3/4-B5-80	2032-1-B5-80
5 PSI	60	2032-3/4-B5-60	2032-1-B5-60
5 PSI	50	2032-3/4-B5-50	2032-1-B5-50
5 PSI	40	2032-3/4-B5-40	2032-1-B5-40
5 PSI	30	2032-3/4-B5-30	2032-1-B5-30
15 PSI	100	2032-3/4-B15-100	2032-1-B15-100
15 PSI	80	2032-3/4-B15-80	2032-1-B15-80
15 PSI	60	2032-3/4-B15-60	2032-1-B15-60
15 PSI	50	2032-3/4-B15-50	2032-1-B15-50
15 PSI	40	2032-3/4-B15-40	2032-1-B15-40
15 PSI	30	2032-3/4-B15-30	2032-1-B15-30
** 3 PSI	150	2032-3/4-B-150	2032-1-B-150
3 PSI	200	2032-3/4-B-200	2032-1-B-200
5 PSI	150	2032-3/4-B5-150	2032-1-B5-150
5 PSI	200	2032-3/4-B5-200	2032-1-B5-200
15 PSI	150	2032-3/4-B15-150	2032-1-B15-150
15 PSI	200	2032-3/4-B15-200	2032-1-B15-200

NOTE: To specify MarvelMag Magnetic Filters, insert letter "M" in Model Number. Example: 2032-1-100 becomes "2032-1M100".



INLINE TYPE

CAPACITIES:
Up to 60 GPM Up to 125 PSI Max.

PIPE SIZES:
1 1/4", 1 1/2", and 2" NPTF sizes and 1 3/8"-12, 1 5/8"-12, and 1 7/8"-12 SAE sizes.

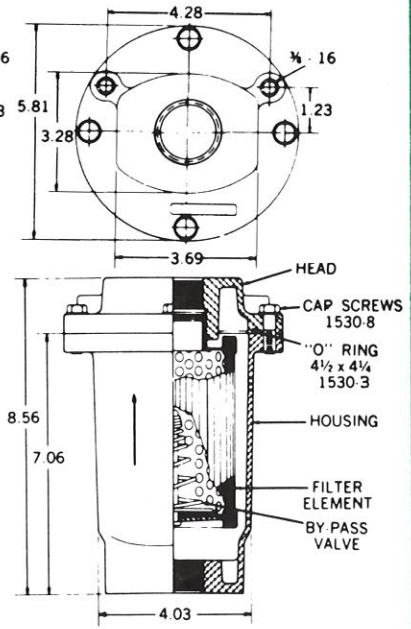
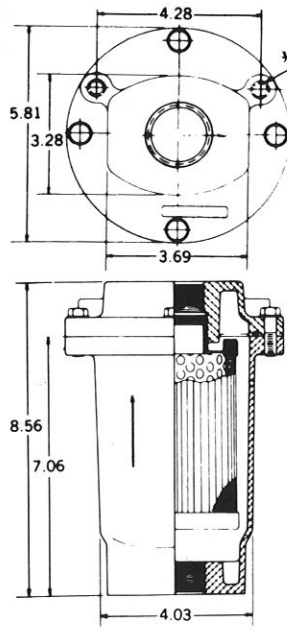
FLANGE CONNECTIONS:
1 1/4" and 1 1/2" SAE

BY-PASS VALVE:
Available with or without By-Pass Valve.

OPERATING TEMPERATURES: Up to 275° F.

700 SERIES (No By-Pass Valve)

800 SERIES (With By-Pass Valve)



NOTE: Pressure Drops at right based upon Petroleum Base Oil 225 SSU @ 100°F., 1/4" NPTF Filter.

capacity gpm	pressure drop* psi
20	.38
30	.64
40	.99
50	1.55
60	2.08

TO ORDER HEAD OR FILTER ELEMENT SPECIFY PART NAME AND MODEL NUMBER. ORDER OTHER PARTS BY PART NUMBERS.

BY-PASS	MESH	20 -30 -40 -50 -60 GPM							
		1 1/4 NPTF	1 1/4 SAE Flange	1 1/2 NPTF	1 1/2 SAE Flange	1 3/8-12 SAE	1 5/8-12 SAE	1 7/8-12 SAE	2 NPTF
MODEL NUMBERS									
No	100	711	721	731	741	751	761	771	781
No	80	718	728	738	748	758	768	778	788
No	60	716	726	736	746	756	766	776	786
No	50	715	725	735	745	755	765	775	785
No	40	714	724	734	744	754	764	774	784
No	30	713	723	733	743	753	763	773	783
No	150	717	727	737	747	757	767	777	787
No	200	719	729	739	749	759	769	779	789
** 3 PSI	100	811	821	831	841	851	861	871	881
3 PSI	80	818	828	838	848	858	868	878	888
3 PSI	60	816	826	836	846	856	866	876	886
3 PSI	50	815	825	835	845	855	865	875	885
3 PSI	40	814	824	834	844	854	864	874	884
3 PSI	30	813	823	833	843	853	863	873	883
5 PSI	100	8115	8215	8315	8415	8515	8615	8715	8815
5 PSI	80	8185	8285	8385	8485	8585	8685	8785	8885
5 PSI	60	8165	8265	8365	8465	8565	8665	8765	8865
5 PSI	50	8155	8255	8355	8455	8555	8655	8755	8855
5 PSI	40	8145	8245	8345	8445	8545	8645	8745	8845
5 PSI	30	8135	8235	8335	8435	8535	8635	8735	8835
15 PSI	100	81115	82115	83115	84115	85115	86115	87115	88115
15 PSI	80	81815	82815	83815	84815	85815	86815	87815	88815
15 PSI	60	81615	82615	83615	84615	85615	86615	87615	88615
15 PSI	50	81515	82515	83515	84515	85515	86515	87515	88515
15 PSI	40	81415	82415	83415	84415	85415	86415	87415	88415
15 PSI	30	81315	82315	83315	84315	85315	86315	87315	88315
** 3 PSI	150	817	827	837	847	857	867	877	887
3 PSI	200	819	829	839	849	859	869	879	889
5 PSI	150	8175	8275	8375	8475	8575	8675	8775	8875
5 PSI	200	8195	8295	8395	8495	8595	8695	8795	8895
15 PSI	150	81715	82715	83715	84715	85715	86715	87715	88715
15 PSI	200	81915	82915	83915	84915	85915	86915	87915	88915

**STANDARD BY-PASS.

NOTE: To specify MarvelMag Magnetic Filters, insert letter "M" in Model Number. Example: 831 becomes "831M".