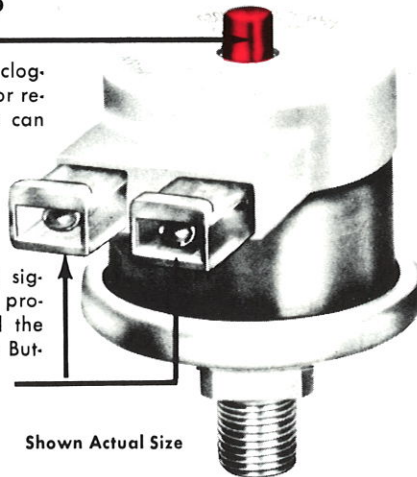


FOR USE WITH HYDRAULIC OILS, COOLANTS, LUBRICANTS, WATER GLYCOL FLUIDS, AND WATER

## RED BUTTON POPS UP

to indicate dangerous element clogging—allowing element cleaning or replacement BEFORE any damage can result.

Electrical Connections for audio signals and/or warning lights also provided (However, many users find the attention-compelling Red Pop-Up Button a sufficient warning signal).



**Eliminates "guesswork" in element servicing intervals.**

**Prevents damaging pump cavitation**

**Assures 100% oil filtration**

## MARVINDICATOR—VACUUM SENSING AND SIGNALLING INDICATOR

Too soon servicing of filter elements is costly in wasted maintenance, manpower, material, and downtime. Too late servicing can be even more costly, resulting in:

1. Dirty, unfiltered oil flooding entire system when filters with integral by-pass valves are employed.
2. Dangerous pump cavitation in systems employing filters without integral by-pass valves.
3. Expensive downtime for repairs and replacements.

Eliminate these problems by installing the Marvindicator in your sump and/or suction lines as illustrated below. Economical in cost and proven in years of field service, the Marvindicator takes the guesswork out of element servicing intervals. It tells precisely when servicing is needed by providing attention-compelling warning signals responsive to preordained degrees of vacuum, thus indicating any existing dangerous condition in both the filter and suction lines. Any excessive obstruction in either causes Marvindicator's highly visible Red Button to pop up to

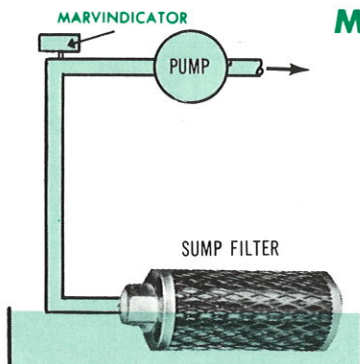
provide immediate warning. The Red Button always pops up at the proper time—whether or not other warning signals are operated from Marvindicator's electrical connections. These electrical connections, either direct terminal or conduit type, can be used to actuate warning lights, audio signals, or for shutting down the entire system. Other important features of the Marvindicator are:

- Installation requires only one pipe connection.
- Repetitive accuracy is fully dependable, highly precise.
- Operation unaffected by condition, nature or viscosity of hydraulic fluids.
- Operates in any position.
- Requires minimum mounting space.

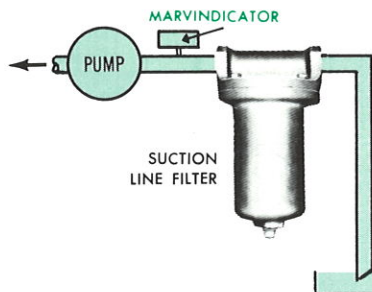
The Marvindicator is available for vacuums of \*2" through 9" Hg. and can be used with any voltage up to 110 AC or the equivalent in DC. As indicated on next page, models for Direct and Conduit Electrical Connections are offered.

\* Marvindicator vacuum settings are pre-set at the factory and the Marvindicator itself is outwardly designed as apparently un-adjustable as a precaution against tampering. However, the vacuum settings can be changed, if desired, by removing the Marvindicator cover.

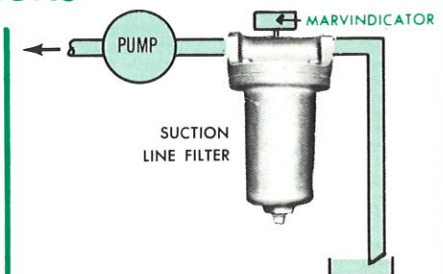
## MARVINDICATOR INSTALLATIONS



In Suction Line, Between Sump Filter and Pump



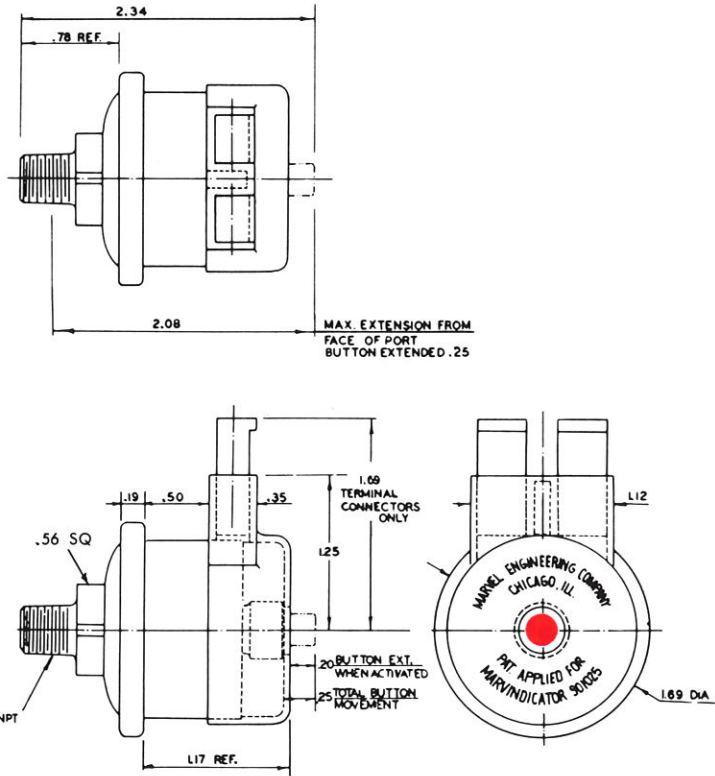
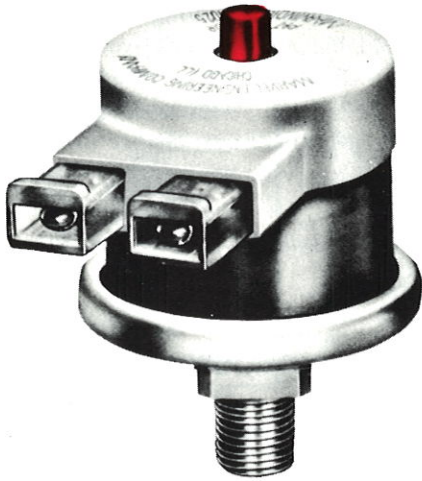
In Suction Line, Between Suction Line Type Filter and Pump



Directly in Head of Suction Filter (when 1/8" NPTF port is provided in Filter Head, on the downstream side of filter element)

**DIRECT TERMINAL CONNECTIONS**

MODEL NO. 901021 \*



**HOW TO ORDER MARVINDICATOR**

To order, merely specify Marvindicator Model No. followed by the code number of your selected vacuum setting. Example: A Marvindicator set for 4" Hg. and with Direct Terminal Connections would be specified by "Model No. 901021-04."

**\*VACUUM SETTINGS CODE NUMBERS**

|                                 |    |    |    |    |    |    |    |    |
|---------------------------------|----|----|----|----|----|----|----|----|
| VACUUM SETTINGS (Inches of Hg.) | 2  | 3  | 4  | 5  | 6  | 7  | 8  | 9  |
| VACUUM SETTINGS (Code No.)      | 02 | 03 | 04 | 05 | 06 | 07 | 08 | 09 |

**CONDUIT ELECTRICAL CONNECTIONS**

MODEL NO. 901021C \*

